



Now with up to 25 watts output (802.3at)

VoIP V2 Paging Amplifier

The new CyberData V2 SIP-enabled VoIP Paging Amplifier provides an easy method for implementing an IP-based overhead paging system for both new and legacy installations.

With up to 25 watts of driving power (802.3at), the Amplifier provides direct drive of a standard Horn speaker and supports a line-out connector for connection to an external amplifier. The interface is compatible with most SIP-based IP PBX servers that comply with the SIP RFC 3261. For non-SIP environments, the Paging Amplifier can be configured to listen to multicast address and port number combinations to form paging zones.

Ringer Mode

The VoIP V2 Paging Amplifier supports two SIP extensions. One extension can be assigned to a page group for auto answer paging. The second extension can be assigned to a "First-to-Answer" ring group with IP phones. An audio ring file is activated when the second SIP extension of the ceiling speaker is dialed. If any of the IP phones in the ring group is answered (or if the caller hangs up), the Paging Amplifier stops ringing.

Features

- SIP and Simultaneous Multicast
- Dual-speed ethernet 10/100 Mbps
- Web-based configuration
- PoE 802.3at and 802.3af-enabled
- Line-in for background music
- Line-out connector
- DTMF controlled relay
- Direct 8 Ohm speaker drive
- User-uploadable tones and messages
- Digital and manual volume control
- Second SIP endpoint "Night Ringer"
- Autoprovisioning
- Auto-call voice message from input port sense
- Can support two horns in parallel



Loudspeaker (part #011068) must be purchased separately.

VoIP V2 Paging Amplifier Specifications

Ethernet I/F	10/100 Mbps
Power Input	PoE 802.3at or 802.3af
Operating Temperature	-30 to 55 C (-22 to 131 F)
Protocol	SIP RFC 3261
Payload Types	G711
Regulatory Compliance	FCC Class A, CE
Warranty	2 Years Limited
Dimensions	1.26" x 9.45" x 3.13"
Output	<ul style="list-style-type: none"> ● 802.3af - up to 8 watts ● 802.3at - up to 25 watts

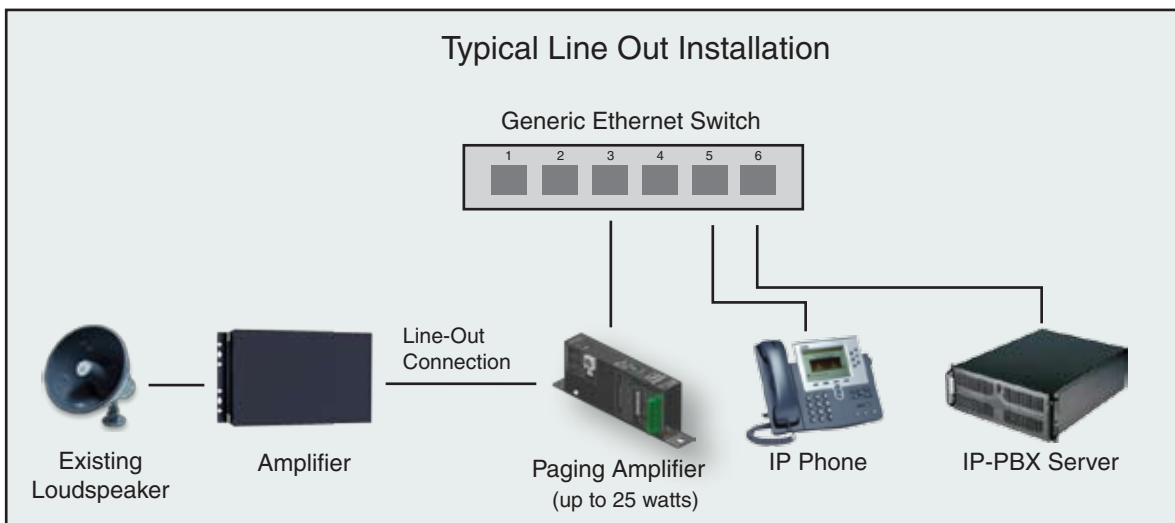
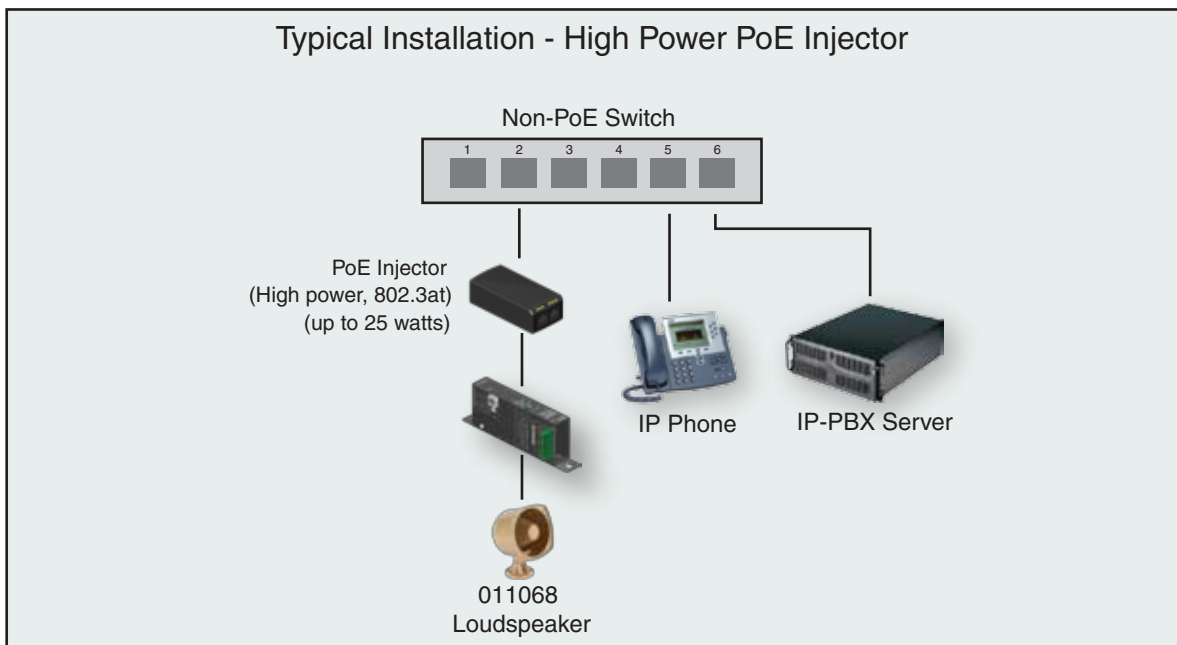
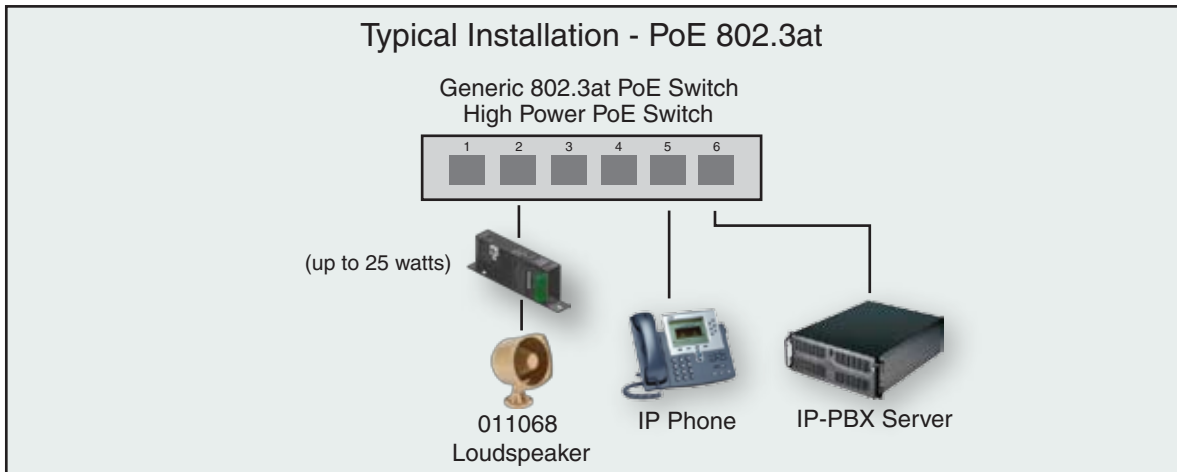
Lineout:

Output Signal Amplitudes	2.0 VPP maximum
Output Level	+2dBm nominal
Total Harmonic Distortion	0.5% maximum

Part Number	011061
Loudspeaker Part Number	011068



VoIP V2 Paging Amplifier





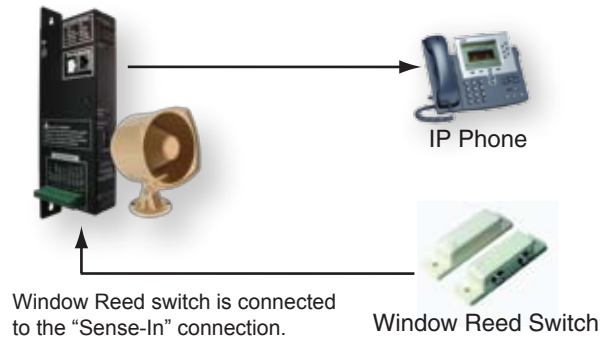
VoIP V2 Paging Amplifier

Configuring the V2 Paging Amplifier for Alarm Sensing

User can upload an audio message to the Paging Amp.

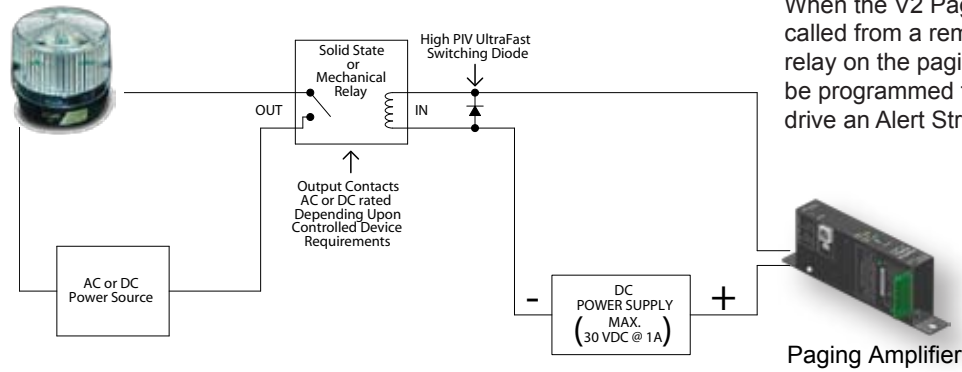
When the "Sense-In" is activated, the stored Audio file will play out the local speaker and repeat until the condition is cleared.

The Paging Amp can also call a pre-set phone number and when that phone answers, the stored Audio message will also be played to the phone.



V2 Paging Amplifier with Strobe Alert

Alert Strobe



When the V2 Paging Amplifier is called from a remote phone, the relay on the paging amplifier can be programmed to blink and drive an Alert Strobe.

V2 Loudspeaker Amplifier Connections

CLASS II WIRING

