

SPEC SHEET

UNITE™ Full HD Camera, 910-401-199

CLEARONE DOCUMENT DOC-0132-001
(REVISION 1.0) January, 2014

UNITE FHD CAMERA SPECIFICATION SHEET

This Specification Sheet details the ClearOne UNITE FHD pan/tilt/zoom (PTZ) video conference camera model 910-401-199.

Key Features

Real High-Definition Image

- The UNITE FHD Camera employs a 1/2.5 type HD COMS achieving a 1920 x 1080 super high quality video image. A frame rate up to 1080P/30 frames/sec. provides smooth, full high-definition video.

Low Noise and High SNR

- The UNITE FHD Camera applies a new generation low-noise sensor, with 2D and 3D noise reduction algorithms, decreasing image noise effectively and also improving SNR

Lifelike Video Image

- The UNITE FHD Camera adopts the latest CMOS sensor with it's outstanding wide dynamic range using a unique Iridix exposure dynamic control algorithm.
- The UNITE FHD Camera delivers intricately detailed and vivid images, especially under circumstance with strong light and shade contrast.

18X Optical Zoom

- The UNITE FHD Camera provides up to 18X optical zoom with it's high-performance lens and fast and stable auto-focus capability.

Wide Range, Quiet and Quick Pan/Tilt Rotation

- By adopting a step driving motor mechanism, the UNITE FHD Camera quietly and smoothly rotates to the appointed position quickly and accurately and with wide shooting range.

Multiple Full HD Video Output Formats

- Supports 1080p30 full HD. The camera also support 1080P30/25, 1080I60/50, and 720P60/50 /30/25 format HD video for meeting different application needs.

RS-232 Remote Control (VISCA Protocol)

- All camera settings and pan/tilt/zoom control functions can be performed remotely at high communication speeds via the RS-232C interface VISCA protocol.
- By using an RS232 cascading interface, two or more cameras can be connected synchronously.

10 Preset Positions

- Up to 10 preset values for pan/tilt/zoom. The camera can retain these presets even when switched off.

Multi-Address Setting Function

- UNITE FHD Camera address can be set with dial switches at the bottom of the camera

Multi-Function Remote

- Users are able to control the pan/tilt/zoom and other settings of camera via an easy to operate remote control.
- The UNITE FHD Camera also can be controlled by the IR Remote of other terminal equipment by converting the received infrared remote control signal to COM signal and then transmitting. In this way, user terminals can be set in the background.

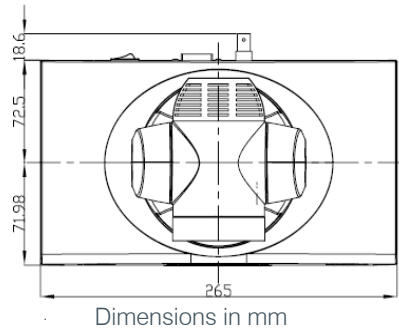
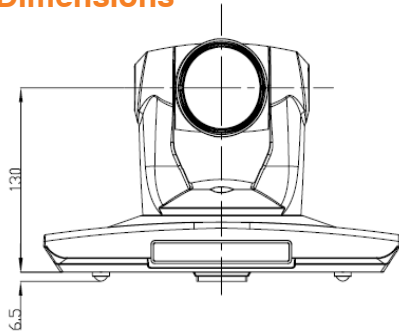
ON-Screen-Display (OSD) Menu

- English OSD menu can be easily controlled via remote control or COM command.

Optional Upside Down Installation

- Structurally, the UNITE FHD Camera supports upside down installation. Also the installation mode can be changed via the remote control or OSD menu setting or COM demand.

Dimensions



Technical Parameters

Camera	
Sensor	1/2.5 inch high quality HD CMOS sensor
Pixels	Dynamic image: 16:9 2,070,000 effective pixel
Video Signal	1080P 30/25, 1080i 60/50, 720P 60/50, 720P 30/25
Zoom	18X optical zoom; f=4.5—45.0mm, F1.8--2.2
Angle of View	62°
Minimum LUX	1.8 LUX
White Balance	Auto/ Manual
Focus	Auto/ Manual
Iris	Auto/ Manual
Electronic Shutter	Auto/ Manual
BLC	Open/Close
S/N Ratio	>50dB

Input/Output Interface	
HD Interface	DVI
Control Signal Interface	8 pin mini DIN
Control Signal Format	Start bit 1: Data bit 8: Stop bit 1: Baud Rate: 9600bps
Power Supply Interface	HEC3800 power jack

Physical Specifications	
Mechanism	Pan rotation: $\pm 100^\circ$; Tilt rotation: $-30 \sim +90^\circ$
	Pan control speed: 0.5 - 200°/sec.; Tilt: 0.5 - 40°/sec.
	Preset control speed: Pan: 200°/sec.; Tilt: 40°/sec.
Color	Black
Storage Temperature	-10°C to +60°C
Work Temperature	0°C to +45°C
Power Supply Adapter	110VAC - 220VAC to 12VDC/2A
Input Voltage	12VDC (10.5-14VDC)
Power Consumption	18W (max)
Dimension (WxDxH)	265 x 144 x 171 (mm)
Weight	1.5 KG
Application	For indoor use